

Ball Valve Tee

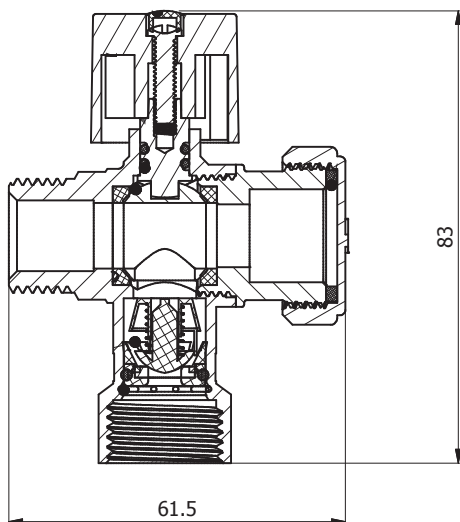
BVT-15

FEATURES

- 3 Way Ball Valve c/w 20mm cap
- 1/4 turn isolation
- Compact design
- Connect dishwasher and tap with ease with one fitting
- Integrated non return check valve
- Chrome cover plate included
- Optional manifold to suit



BVT-15 DIMENSIONS



Fits with ULTRA MANIFOLD

